

INSTALLATION & MAINTENANCE GUIDE

JANUARY 2013



Dear Valued Customer:



TimberTech would like to thank you for your interest in our railing systems. We strive to better serve our customers and hope that you have a wonderful experience with TimberTech.

TimberTech focuses on quality, innovation and brand in all that we do. With an assortment of plank profiles, industry leading railing systems, fencing and numerous accessories, building beautiful decks has never been easier.

TimberTech is committed to providing builders and professional deck installers with exciting new products our customers demand, as well as programs and support material to differentiate themselves in the marketplace.

TimberTech has compiled this Railing & DeckLites® Installation & Maintenance Guide to provide a thorough resource for technical information for our railing systems and deck lighting system.

To get information on other TimberTech products visit timbertech.com or ask your dealer for these installation guides:

- **TimberTech Decking & DrySpace™ Installation & Maintenance Guide**
- **TimberTech FenceScope® Installation & Maintenance Guide**

Installing TimberTech

TimberTech offers a variety of innovative railing systems and infill options. A variety of color choices allow you to match or complement your TimberTech deck planks.

TimberTech products are a revolutionary alternative to traditional wood—they don't rot, warp or splinter—and they look great year after year. And unlike wood, TimberTech products require no painting, staining or sealing.

Make sure your project meets local building codes before you begin installation.

These installation guidelines will direct you through the process of installing TimberTech railing systems. These methods are recommended by TimberTech but may not cover every installation scenario you encounter. Since each installation is unique in its performance requirements, the ultimate installation method used is the sole responsibility of the installer. TimberTech recommends that all designs be reviewed by a licensed architect, engineer or local building official before installation.

TimberTech Code Listings

Once a product is tested by an independent lab, an application and report is submitted to one of several agencies that provide listings for building products that meet the requirements of Acceptance Criteria 174 (AC 174) as set forth by the International Code Council Evaluation Service (ICC-ES). TimberTech currently has listings from the ICC-ES and Architectural Testing Inc. The following TimberTech reports on code compliance are available to download on www.timbertech.com.

For the most up-to-date code listings visit

www.timbertech.com/installation.

ICC Evaluation Service, Inc.

ICC ESR-1400 • Ornamental Rail System



Underwriters Laboratories, Inc.

E351168 • DeckLites

ATI Architectural Testing, Inc.

CCRR-0114 • RadianceRail

CCRR-0129 • BuilderRail

Code listing for RadianceRail Express Pending

Test Reports:

ADA Hand Rail & Secure Mount Post System tested to requirements of ICC-ES-AC-174

Railing Product Choices

RAILING & RAILING ACCESSORIES	Size											
		Cedar	Grey	Redwood	Antique White	Classic Black	Coastal White	Mountain Cedar	RiverRock	SandRidge	Traditional Walnut	Brick
RADIANCE RAIL®												
6' RadianceRail Complete Kit-Square Balusters	6' length - 36" high					X	X					
8' RadianceRail Complete Kit-Square Balusters	8' length - 36" high					X	X					
6' RadianceRail Rail Pack	6' length				X	X						
8' RadianceRail Rail Pack	8' length				X	X						
8' RadianceRail Custom Rail Pack (no pre-drilled holes)	8' length				X	X	X	X	X	X	X	X
6' Baluster Pack - Square Balusters	6' length, 36" high / 42" high				X	X	X	X	X	X	X	X
8' Baluster Pack - Square Balusters	8' length, 36" high / 42" high				X	X	X	X	X	X	X	X
Hardware Mounting Kit	N/A											
Post Cover for 4x4 Post (use with 36" rails)	5" x 5" x 42"				X	X	X	X	X	X	X	X
Post Cover for 4x4 Post (use with 42" rails)	5" x 5" x 12"				X	X	X	X	X	X	X	X
Post Cap and Post Skirt	N/A				X	X	X	X	X	X	X	X
RADIANCE RAIL® EXPRESS												
6' RadianceRail Express Rail Pack	6' length					X	X					X
8' RadianceRail Express Rail Pack	8' length					X	X					X
8' RadianceRail Express Stair Rail Pack	8' length					X	X					X
6' Baluster Pack Square Balusters	6' length, 36" high / 42" high					X	X					X
8' Baluster Pack Square Balusters	8' length, 36" high / 42" high					X	X					X
Post cover for 4x4 Post (use with 36" rails)	4"x4" x 39"					X	X					X
Post cover for 4x4 Post (use with 42" rails)	4"x4" x 8"					X	X					X
Hardware Mounting Kit	N/A					X	X					X
Hardware Mounting Kit for stairs	N/A					X	X					X
Gasket Pack	N/A					X	X					X
Post Cap and Post Skirt	N/A					X	X					X
EVOLUTIONS RAIL® CONTEMPORARY												
16' Evolutions Rail Contemporary Top Rail	16' length					X						X
6' Evolutions Rail Contemporary Rail Pack	6' length					X						X
8' Evolutions Rail Contemporary Rail Pack	8' length					X						X
6' Baluster Pack - Square Balusters	36" high / 42" high					X						X
8' Baluster Pack - Square Balusters	36" high / 42" high					X						X
Hardware Kit	N/A					X						X
Post Cover for 4x4 Post (for 36" rail)	5 x 5 x 42"					X						X
Post Cover for 4x4 Post (for 42" rail)	5 x 5 x 8"					X						X
Post Skirt	N/A					X						X
EVOLUTIONS RAIL® BUILDER												
6' Evolutions Rail BuilderBoard	6' length					X						X
8' Evolutions Rail BuilderBoard	8' length					X						X
Metal Baluster Pack - Black	8' length, 36" high / 42" high					X						X
Metal Baluster Pack for Stairs - Black	8' length, 36" high / 42" high					X						X
Hardware Kit	N/A					X						X
Post Cover for 4x4 Post (for 36" rail)	5 x 5 x 42"					X						X
Post Cover for 4x4 Post (for 42" rail)	5 x 5 x 8"					X						X
Post Skirt	N/A					X						X
ORNAMENTAL RAIL												
6' Ornamental Rail Kit:	6' length	X	X	X								
8' Ornamental Rail Kit:	8' length	X	X	X								
6' Baluster Kit, 16 Pre-Cut Solid Square, 36" rail ht.	1.3" x 1.3" x 27"	X	X	X								
8' Baluster Kit, 20 Pre-Cut Solid Square, 36" rail ht.	1.3" x 1.3" x 27"	X	X	X								
4' Post Cover for 4x4 Post	4.25" x 4.25" x 4"	X	X	X								
12' Post Cover for 4x4 Post	4.25" x 4.25" x 12"	X	X	X								
Baluster, Solid Square	1.3" x 1.3" x 12"	X	X	X								
Post Cap and Post Skirt	N/A	X	X	X								
BUILDER RAIL®												
6' BuilderRail Kit: Black Classic Metal Balusters	6' length, 36" high / 42" high											
8' BuilderRail Kit: Black Classic Metal Balusters	8' length, 36" high / 42" high											
8' BuilderRail Stair Kit: Black Classic Metal Balusters	8' length, 36" high / 42" high											
BuilderRail Post Brackets - Black	90°											
BuilderRail Stair Post Brackets - Black	125°											
BuilderBoard® Rails	6' or 8' lengths	X	X	X								
Post Skirt	N/A	X	X	X								
Foot Blocks		X	X	X								
* Use Ornamental Rail Post Covers and Post Skirts with BuilderRail.												
METAL BALUSTERS												
Metal Baluster Pack - Black	8' length, 36" high / 42" high											
Metal Baluster Pack for Stairs - Black	8' length, 36" high / 42" high											
* Use with RadianceRail® and Evolutions Rail™												
CABLERAIL by FEENEY												
Quick-Connect® Hardware Packs	36" high (9 connectors) / 42" high (11 connectors)											
Cable	100' spool and 500' rolls											
CableRail Accessory Pack	N/A											
* Use with RadianceRail® and Evolutions Rail™.												
ADA HAND RAIL SYSTEM												
Grab Rail with Aluminum Insert	1.5" OD x 104"						X	X				
Aluminum Joiner Kit	1" OD x 6"											
Inside/Outside Corner	1-1/2" OD x 4" x 4"						X	X				
Inline Wall Mount Bracket	3"						X	X				
Inside Corner 90° Standoff Bracket	6-1/4"						X	X				
End Cap	1-1/2"						X	X				
Handicap Loop	18" x 12" x 18"						X	X				
Adjustable Internal Joiner												
90° Return Bracket	3.75" x 3.5"						X	X				
External Swivel Connector							X	X				
Standoff Bracket	2-1/4"						X	X				
SECURE-MOUNT POST SYSTEM												
Secure-Mount Post	36" - Adjusts to 42" high if needed											
Deck Mounting Kit (includes leveling kit)	N/A											

BuilderRail®

Visit www.timbertech.com/installation to view TimberTech installation videos.

- Consult your local building codes for guard and handrail requirements.

BuilderRail kits are available in 6' or 8' lengths.

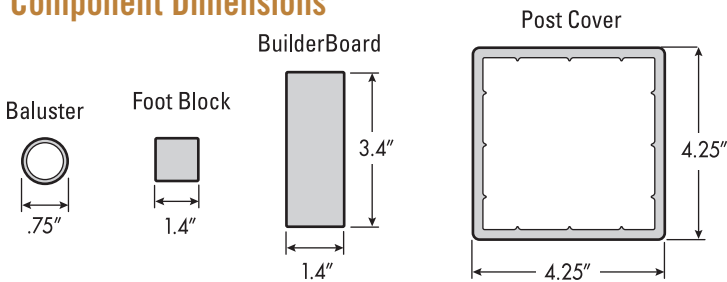
Measure Your Railing Area

- Determine how many 6' or 8' BuilderRail Kits you need and check to be sure you have all the components (and quantities) listed in the chart.
- 6' and 8' sections should be measured from center-to-center of posts.

Important Information

- Prior to installation it is recommended that you consult your local building codes.
- **Pre-drilling is required for all fastener locations.**
- Heights specified in this guide are for 36" and 42" minimum rails.
- Post Skirts will not fit properly on the deck if your rail 4x4 posts are notched over the rim joist.
- Foot Blocks are to be constructed from end cuts of the BuilderBoard. Foot Blocks may also be purchased.
- Protective clothing and safety glasses are recommended.
- For all TimberTech products, standard woodworking tools may be used.
- As with any outdoor product, periodic cleaning is recommended.

Component Dimensions

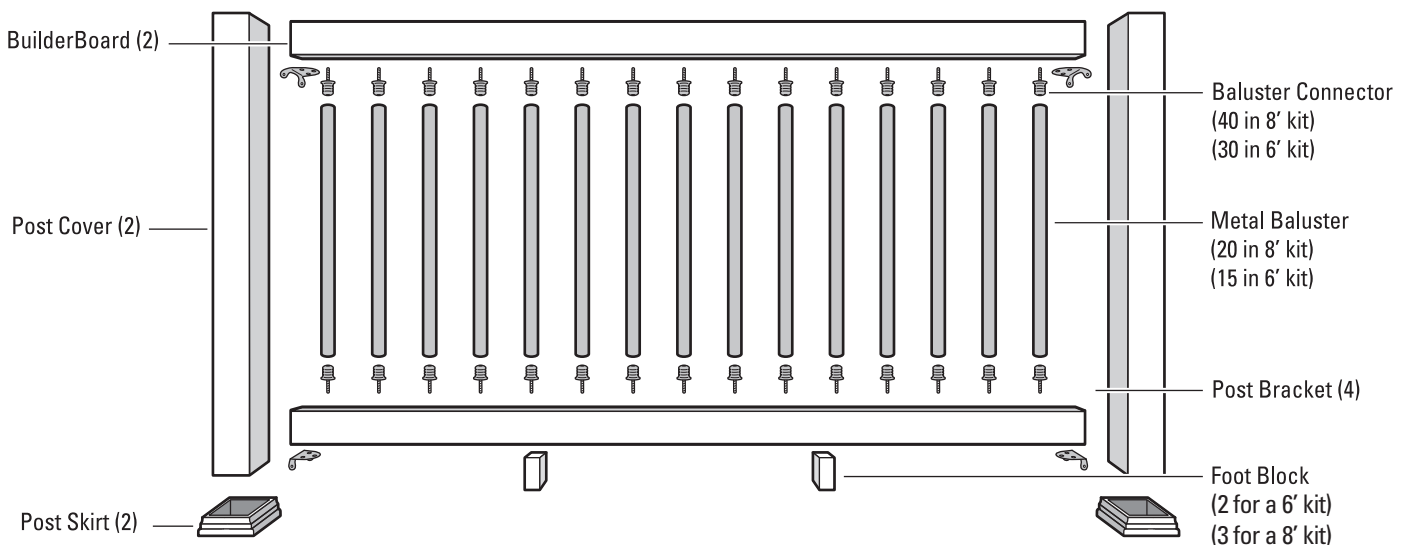


Tools Required

- Miter Saw
- Drill
- 3/16" drill bit
- 9/64" drill bit
- 1/2" drill bit
- Tape Measure

Components Needed For Installing One BuilderRail Section

Hardware included in 6' and 8' Kits <i>*Stair Kits are sold separately in 8' lengths</i>	Baluster Spacing Template
	Classic Metal Balusters 6' Kit: (15) 8' Kit: (20) 8' Stair Kits: (20) 36" Kit - 25" Baluster height 42" Kit - 31" Baluster height 23-3/4" height for 36" stairs 29-3/4" height for 42" stairs
	Hardware Mounting Kit Mounting Brackets (4) #8 x 3" Screws (8) #8 x 3/4" Screws (12)
	Baluster Connector Kit Connectors 6' Kit: (30) 8' Kit: (40) #10 x 2" Screws 6' Kit: (30) 8' Kit: (40)
Additional components needed for each system	2 - BuilderBoards
	2 - Post Covers
	2 - Post Skirts
	Deck Plank for Top Rail
	#8 x 3-1/2" Foot Block Screws
	TimberTech TOPLoc Face Fasteners or #8 x 2-1/2" Color Matched Top Rail Screws
	Foot Blocks 6' Kit: (2) 8' Kit: (3)

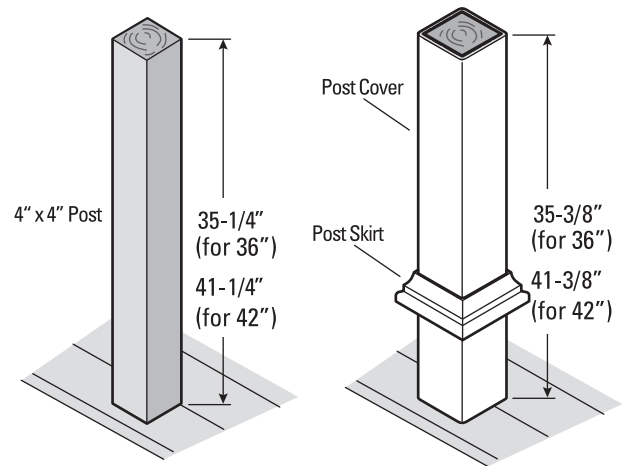


Installing BuilderRail with Metal Balusters

1 Prepare Posts

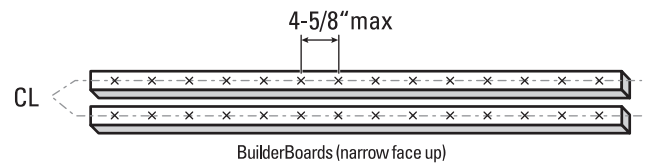
- Posts must be positioned no more than 8' on center, and must be plumb.
- Trim 4x4 post to a height of 35-1/4" (for 36")/ 41-1/4" (for 42") above finished deck surface. Take care to make cuts as precise as possible.
- Trim Post covers to 35-3/8" (for 36")/ 41-3/8" (for 42"). For best results use a miter box.
- Slide Post Cover over 4x4 post. Do not force Post Cover over post.
- Slide Post Skirts over Post Cover. (You will not be able to install Post Skirts once railing is installed.)

Note: Post at base of stairs must be left long. See stair instructions on page 18.



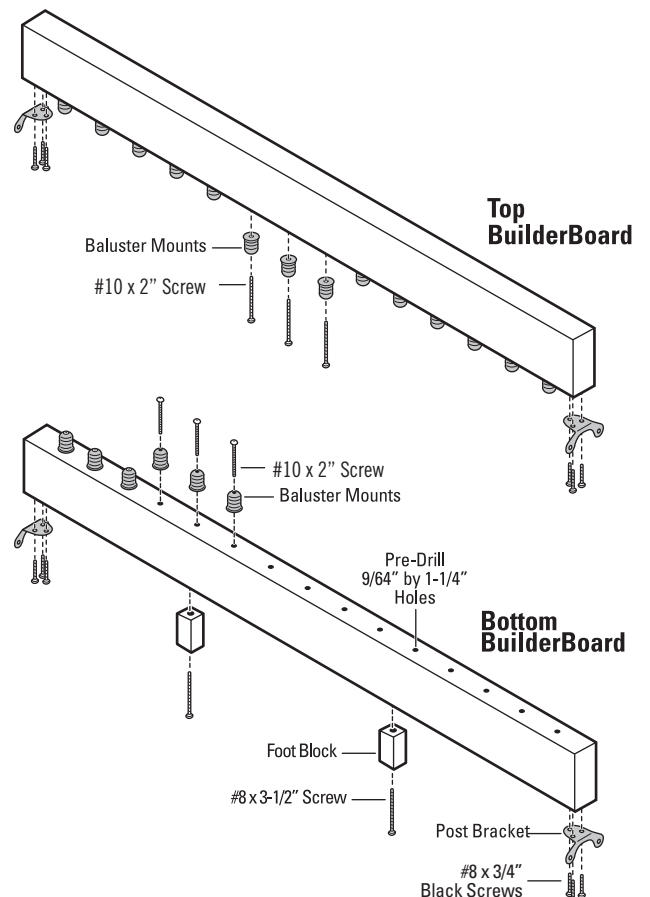
2 Prepare Rails

- Take measurements between posts for top and bottom rails. Trim BuilderBoard to these dimensions. (If you are installing an angled section, measure rail angle and transfer to BuilderBoards before cutting.)
- Lay the BuilderBoard rails side by side (narrow face up) and mark the center of each baluster position. **Balusters must not exceed 4-5/8\"**
- For convenience a suggested template is included in kit.



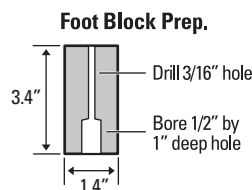
3 Attach Baluster Mounts and Post Brackets

- Drill 9/64" holes along the centerline of both BuilderBoards at the baluster marks. Holes should be approximately 1-1/4" deep.
- Attach Baluster Mounts at each pre-drilled location using the provided #10 x 2" screws.
- Position Post Brackets flush to the ends of the BuilderBoards. **Top Rail:** Position on same face as Baluster Mounts. **Bottom Rail:** Position on opposite face from Baluster Mounts.
- **Pre-drill** with 9/64" bit, and attach with the provided #8 x 3/4" screws.



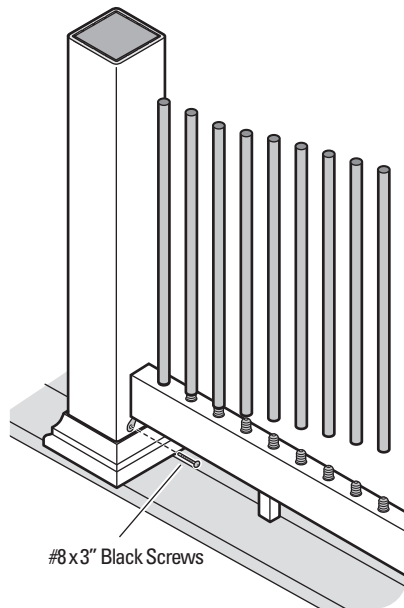
4 Attach Foot Blocks

- Install foot blocks approximately 2' on center along the underside of the bottom rail. 2 Foot Blocks are required for a 6' section, 3 for an 8' section.
- Foot Blocks are to be constructed from end cuts of the BuilderBoard. Foot Blocks may also be purchased.
- Prepare Foot Blocks by boring a 1/2" hole 1" deep in the bottom of the block, then drill the rest of the way through with a 3/16" bit.
- Attach the Foot Blocks to the BuilderRail using #8 x 3-1/2" screws.



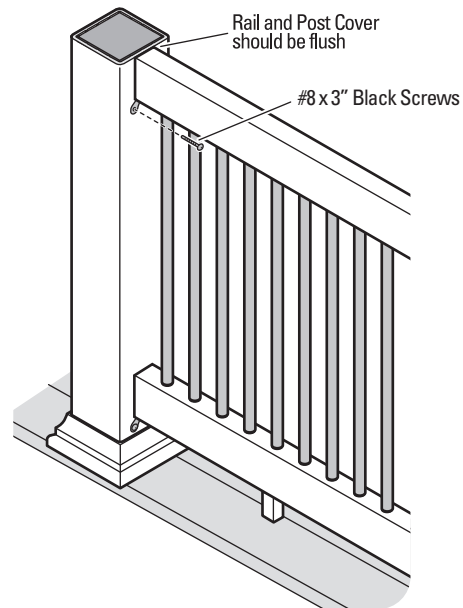
5 Install Bottom Rail and Balusters

- Place bottom BuilderBoard between posts, and align to center of post. Let BuilderBoard rest on the Foot Blocks.
- Pre-drill at Post Brackets with a 3/16" bit and attach with #8 x 3" screws. (note: pre-drill through Post Cover only, not into posts)
- Slide Balusters over the Baluster Mounts along the bottom BuilderBoard.



6 Install Top Rail

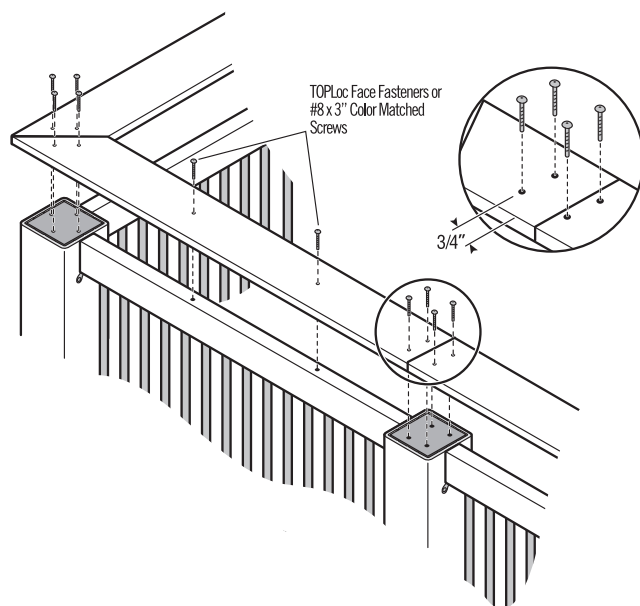
- Bring the top BuilderBoard into position and align each Baluster with its respective Baluster Mount.
- Tip: Start at one end with Top Rail angled upward. Work your way down the rail by aligning and lowering the Top Rail onto each baluster.
- Once all Balusters are in position, make sure they are snugly seated on the Baluster Mounts. The top of the top BuilderBoard should be flush with the top of the Post Cover.
- Pre-drill at Post Brackets with a 3/16" bit and attach with #8x3" color matched screws. (note: pre-drill through Post Cover only, not into posts.)



7 Install Top Rail

- Finish off the railing system by applying one of TimberTech's solid plank profiles to the top of the rail.
- Cut the planking so that any seams fall at the center of a post. Miter the planks at corner posts.
- Pre-drill and secure planks at posts using 2 TOPLoc Face Fasteners or #8 x 3" screws positioned 3/4" from the end of each plank and 1-1/2" from the edge of each plank. Pre-drill and secure plank to the BuilderBoard every 2' using the same screws.

TIP: If your rail has stair sections, start installing the cap at the stairs and work your way around from there. Wait until all rail sections are complete before beginning cap installation.



Installing BuilderRail Stairs with Metal Balusters



The BuilderRail Stair Kit includes angled Post Brackets and Baluster Mounts. These components are designed for a rail angle of 35° with a margin of adjustment of 5°. In order to insure proper installation, the angle of your stair rail should be as close to 35° as possible.



Angled Baluster Mount



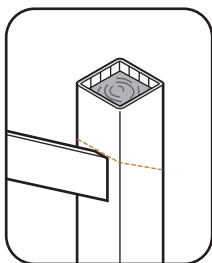
Angled Post Bracket

- Consult your local building codes for guard and handrail requirements.

1 Trim BuilderBoard Rails

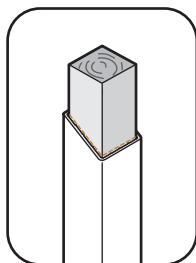
- Make sure your posts are no more than 8' on center, and plumb.
- Place a Post Cover over the lower stair post, DO NOT trim lower post or post Cover yet.
- Position a BuilderBoard on the stairs against the top and bottom Post Covers. Mark the length and angle on the BuilderBoard at each post.
- Trim the ends of the BuilderBoard to your marks.
- After checking fit at top and bottom rail locations, trim a duplicate BuilderBoard for the top rail.

2 Trim Bottom Post



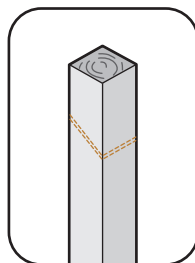
Position the top rail between the posts so that the top of the rail is flush with the top of the upper post.

Mark where the top of the rail meets the lower post. This marks the upper edge of the lower Post Cover.

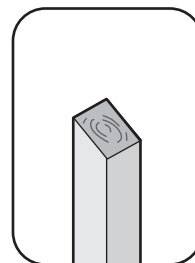


Remove the Post Cover and trim to the stair angle using your mark as a guide.

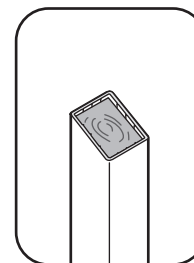
Re-position Post Cover over post and use it to mark the angle of the cut for the post.



Remove Post Cover and using a straight edge, mark a parallel line about 1/8" below the lines made in the previous step.



Using a circular saw, trim the post to the lower set of marks.



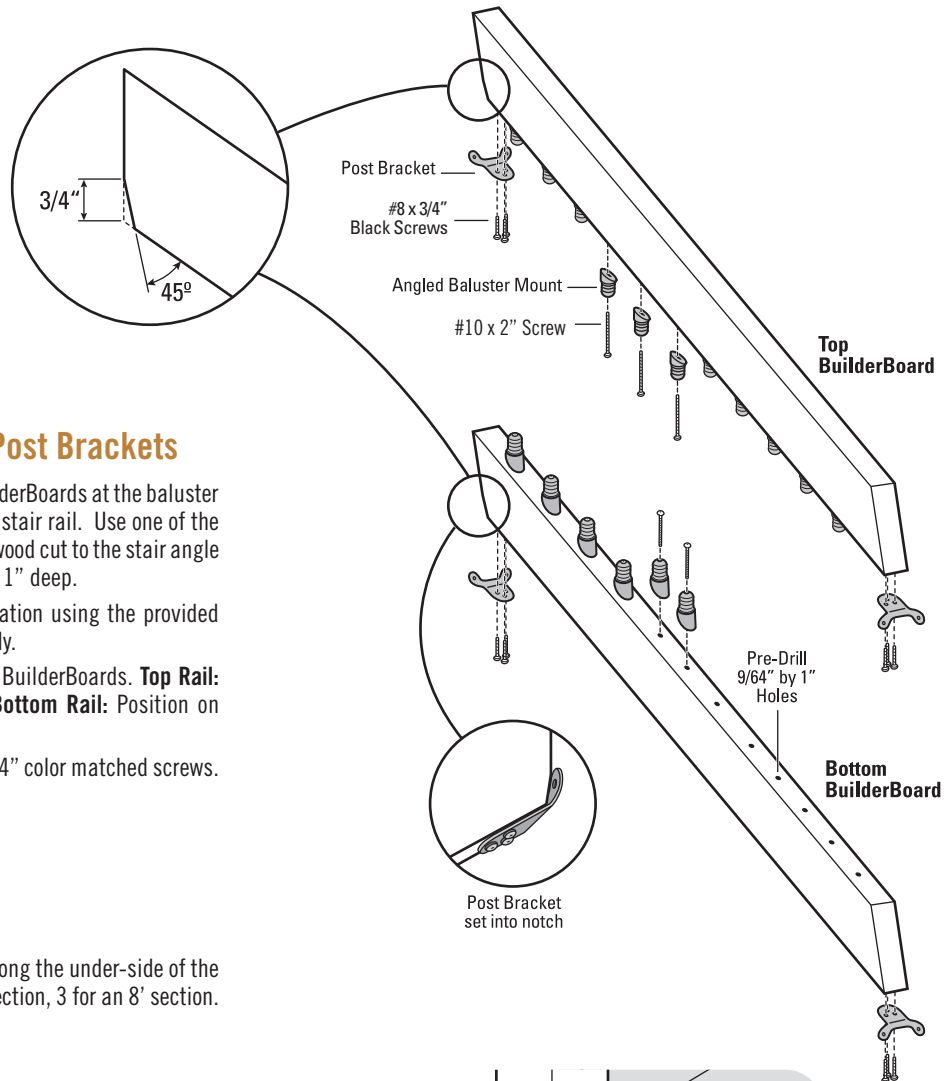
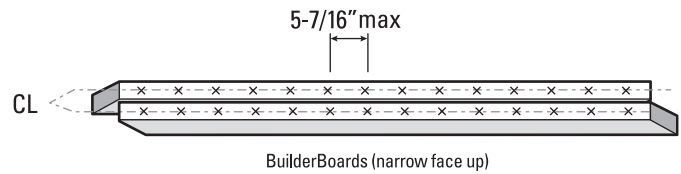
Replace the Post Cover and place a Post Skirt over the Post Cover.

3 Determine Position of Bottom Rail

- Create a mock-up of a rail section using a couple of scrap pieces of BuilderBoard (cut to the rail angle), two Baluster Connectors and a Baluster.
- Position the top rail flush with the top of the Post Cover and mark the top of the bottom rail on the post.
- Repeat for the bottom post making sure the rails are positioned properly to run up to the upper post.

4 Prepare Rails

- After BuilderBoard rails are trimmed to the length as detailed in step 1, you need to make a relief cut at the upper end of the rails to insure a proper fit for the upper post brackets. This only needs to be done on the upper ends of both top and bottom rails.
- Measure 3/4" along the angled cut and cut back from there at a 45° angle. This modification is not necessary at the low end of the rails.
- Lay the BuilderBoard rails side by side (narrow face up) and clamp them together.
- Make sure the angle cuts are oriented as shown and mark the locations for the baluster connections.
- Determine layout for Balusters and mark along the centerline of the BuilderBoards.
- For convenience, a suggested stair template is included in kit.



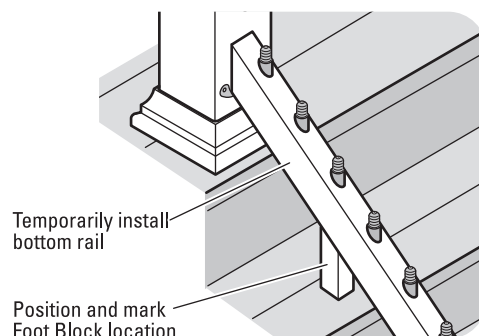
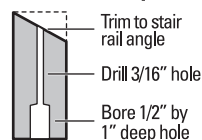
5 Attach Baluster Mounts and Post Brackets

- Drill 9/64" holes along the centerline of both BuilderBoards at the baluster marks. Holes must be drilled at same angle as stair rail. Use one of the angled Baluster Connectors, or a scrap piece of wood cut to the stair angle as a drill guide. Holes should be approximately 1" deep.
- Attach Baluster Mounts at each pre-drilled location using the provided screws making sure the angle is aligned properly.
- Position Post Brackets flush to the ends of the BuilderBoards. **Top Rail:** Position on same face as Baluster Mounts. **Bottom Rail:** Position on opposite face from Baluster Mounts.
- Pre-drill with a 9/64" bit and attach with #8 x 3/4" color matched screws.

6 Install Foot Blocks

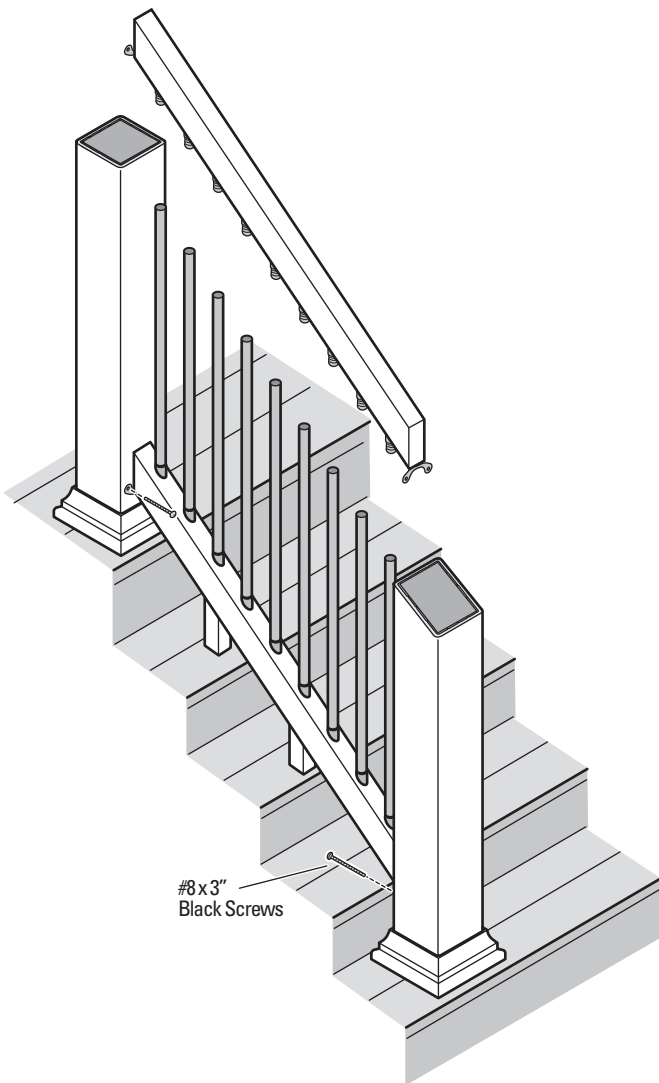
- Install Foot Blocks approximately 2' on center along the under-side of the bottom rail. 2 Foot Blocks are required for a 6' section, 3 for an 8' section.
- Foot Blocks are to be constructed from end cuts of the BuilderBoard. Foot Blocks may also be purchased.
- Prepare Foot Blocks by boring a 1/2" hole 1" deep in the bottom of the block, then follow with a 3/16" hole through the whole block. Trim Foot Blocks to rail angle making sure to maximize the length.
- In order to position Foot Blocks, you will need to temporarily install the bottom rail. Pre-drill Post Cover at the bracket locations with a 3/16" drill bit. Pre-drill Post Cover only.
- Position Foot Blocks so that they fit snug between the bottom rail and the stairs, mark their location, then remove bottom rail.
- Attach the Foot Blocks at marked locations using #8 x 3-1/2" screws, then reinstall the bottom rail with the provided 3" screws.

Foot Block Prep



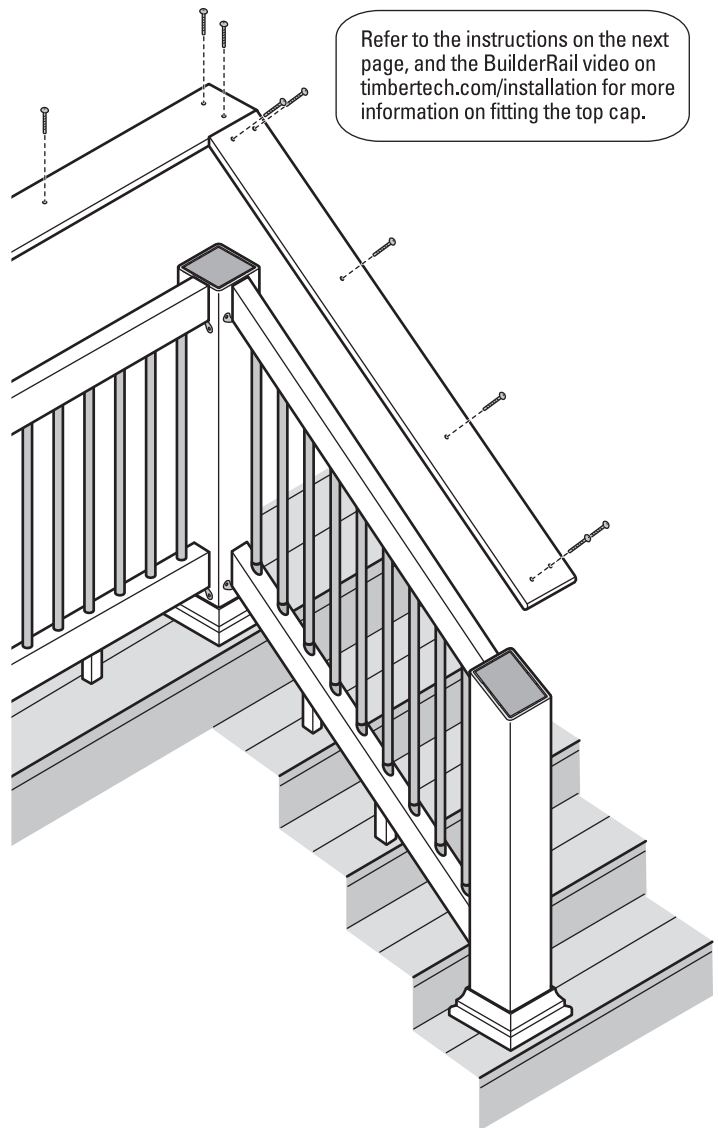
7 Assemble Rail Section

- Install the bottom BuilderBoard, securing it to the post at the brackets with #8 x 3" color matched screws.
- Place a Baluster over each of the Baluster Connectors along the Bottom BuilderBoard.
- Tip: Start at one end with Top Rail angled upward. Work your way down the rail by aligning and lowering the Top Rail onto each baluster.
- Next, bring the top rail into position, fitting each Baluster Connector into its respective Baluster. It is helpful to have two people perform this step.
- Pre-drill the post cover at the bracket hole locations with a 3/16" drill bit and secure the rails to the post with #8 x 3" color matched screws.



8 Install Top Rail

- Finish off the railing system by applying one of the TimberTech solid plank profiles to the top of the rail. You may want to rout a bullnose edge on the end overhanging the bottom post.
- Pre-drill and secure planks at posts using 2 #8 x 3" screws positioned 3/4" in from the ends and 1-1/2" from the edge of the plank. Where planks fully cover a post without a seam, secure the plank with two screws set at 1-1/2" in from the sides of the plank and centered on the post. Pre-drill and secure plank to the BuilderBoard every 2' using the same screws.



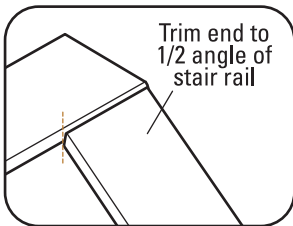
Top Rail Details - BuilderRail

Transitioning from Stair Rail to Straight Rail

You will have to make some minor modifications to the cap planks in order to achieve an aesthetically pleasing transition from stair to straight rail sections.

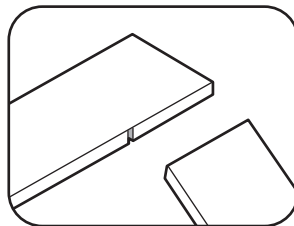
The modifications required depend on the profile plank you are using. To watch a demonstration of these modifications, view the TimberTech BuilderRail video on timbertech.com/installation.

Solid Plank with Square Edge



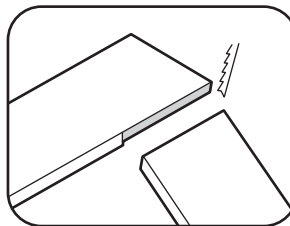
Trim the end of the plank that runs down the stair rail to 1/2 of the angle of the stair. Leave the plank long so that you can make adjustments later.

Place the planks in their finished position and mark where they come together.



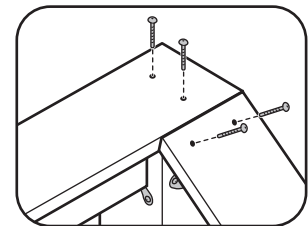
Cut a notch in the top plank at the mark where the two planks meet.

The notch should be angled at roughly 1/2 of the stair angle toward the underside of the plank, and should not penetrate the top surface of the plank.



Using a jigsaw set to half the stair angle, cut along the side edge of the plank until you meet the notch you just cut.

Slide the joint together and check fit, adjust if necessary.



Cut the top planks to their final length. Make sure to allow some overhang beyond the post cover to finish the ends of the planks.

Attach the planks to the post with #8 x 3" screws. Start the screws 1-1/2" from the edge of the plank, and angle them so that they go into the post without being visible underneath.

Care & Cleaning

With proper installation and care, TimberTech products will provide years of outdoor living pleasure.

Storage

Store TimberTech products under cover to maintain a clean surface. If stored outdoors, they must be covered with a non-translucent material.

- All products should be stored flat and on a dry surface.
- Stack units with banding and bottom supports aligned.

Discarding Scrap Product

Scrap can be discarded with normal construction debris.

Care & Cleaning

Basic Cleaning Recommendations

Although TimberTech products are low-maintenance, TimberTech recommends periodic cleaning to help maintain the beauty of the product. For best results a cleaner like eco-friendly Corte Clean (corteclean.com) is recommended. Follow the manufacturers' application instructions.

A power washer can be used when cleaning your TimberTech products. The recommended maximum pressure is 1500psi. A fan tip nozzle should be used along with the proper cleaning product. Spray in the direction of the brush/grain pattern to avoid damaging the product. Use caution not to damage the material and always take the proper safety precautions when operating a power washer.

Ice and Snow

For ice removal, either rock salt or calcium chloride may be used without damage to the surface. However, either of these products may leave a white residue, which may be removed by either rinsing with water, or a mild soap/water solution.

Dirt, Grime, Tannin, and Mildew Stains

TimberTech products are formulated to inhibit mildew growth and minimize staining. Rinse off your TimberTech products periodically with a hose. Even if it appears clean, it is important to prevent build-up of pollen/debris. Mildew stains may occur where moisture, pollens, and/or dirt are present. Mildew needs a food source to grow, which can be grass, pollens, dirt, debris, wood and wood resins.

Cleaners that are recommended for use with TimberTech are:

- Sun Frog Composite Deck Cleaner (sunfrog.com)
- Super Deck Composite Deck Cleaner (superdeck.com)
- Corte Clean (corteclean.com)
- E Z Off Composite Wood Cleaner (sunbritesupply.com)
- Thompson's Water Seal—Oxy Action (thompsonswaterseal.com)

Spot Stains

Many stains can be cleaned with soap and water. If the stains have set, the following

cleaners have been found to remove or reduce the stains. Always follow the manufacturer's instructions to achieve maximum results. Areas cleaned may lighten; this will require 8-10 weeks exposure to the sun to match the remaining product.

Ornamental Rail, and BuilderRail:

General Cleaning:

- Soap & Water
- CorteClean

- Tree Sap:**
- Krud Cutter (krudcutter.com)
 - Simple Green (simplegreen.com)

- Spray Paint:**
- Lift Off #4 (liftoffinc.com)

- Oil, Grease:**
- Krud Cutter (krudcutter.com)
 - Oil Eater (oileater.com)

BBQ, Ketchup, Mustard, Jelly and Jam:

- Krud Cutter (krudcutter.com)

- Wine:**
- Wine Away (wineaway.com)

- Kool-Aid:**
- Oxi Clean (oxiclean.com)

RadianceRail & RadianceRail Express:

General Cleaning:

- Soap & Water
- CorteClean

Pencil marks or other scuffs:

- Mr. Clean Magic Eraser

RadianceRail & RadianceRail Express Touch-Up:

Duplicolor 2-in-1 Automobile Touch-up Paint is recommended for scratches, nicks and scuffs on TimberTech RadianceRail:

- For Coastal White use "Gloss White"
- For Classic Black use "Universal Flat Black"

Evolutions Rail:

General Cleaning:

- Soap & Water

25-Year Limited Residential Warranty 10-Year Limited Commercial Warranty



Alternative decking materials, rail systems, accessories and the DrySpace deck drainage system

Statement of Warranty: This warranty is given to the original purchaser, residential or commercial as the case may be ("Purchaser"), of TimberTech alternative decking materials, rail systems (excluding all metal baluster components of such rail systems and DeckLites, which are covered under separate warranties), and accessories (individually and collectively "Decking Materials") and the DrySpace deck drainage system ("DrySpace" and, collectively with the Decking Materials, the "TimberTech Products"). This warranty does not extend to fasteners that are not supplied by TimberTech. For purposes of this warranty, a residential Purchaser shall refer to a single-family residential homeowner and a commercial Purchaser shall refer to any Purchaser other than a single-family residential homeowner.

TimberTech Limited ("TimberTech") warrants to Purchaser that, for a period of twenty-five (25) years (Residential) & ten (10) years (Commercial) from the date of the original purchase, residential or commercial as the case may be, (the "Term"), under normal use and service conditions, that: (1) the Decking Materials will be free from material defects in workmanship and materials, and will not check, split, splinter, rot or suffer structural damage from termites or fungal decay; and (2) DrySpace will not peel, blister, pit, flake, crack or corrode as a result of manufacturing defects, or as a result of exposure to ocean air (salt spray).

All warranties are subject to the exclusions, limitations and restrictions set forth below.

Obtaining Warranty Performance: If Purchaser discovers a defect in the TimberTech Products during the Term, Purchaser must, within thirty (30) days from the discovery of the alleged defect but no later than the end of the Term, notify TimberTech in writing, at the following address:

TimberTech Limited
894 Prairie Avenue
Wilmington, Ohio 45177
Attn: Claims Department

Purchaser must include in this notification proof of purchase and a statement explaining the defect. TimberTech may request additional information. After reviewing all information, TimberTech will make a determination regarding the validity of such claim. If TimberTech determines that Purchaser's claim is valid, TimberTech will, at its option, either replace the defective TimberTech Products or refund the portion of the purchase price paid by Purchaser for such defective TimberTech Products (not including the cost of its initial installation).

If a residential Purchaser makes a valid warranty claim hereunder during years eleven (11) through twenty-five (25) after the original purchase, then the residential Purchaser's recovery will be prorated as indicated below. If TimberTech is providing replacement materials, it may elect to replace the percentage listed below of boards otherwise meeting the requirements for a claim; if TimberTech is refunding the purchase price, it may elect to refund the percentage listed below of the purchase price of boards otherwise meeting the requirements for a claim.

Year of Claim	Recovery
11	80%
12	80%
13	80%
14	60%
15	60%

Year of Claim	Recovery
16	60%
17	40%
18	40%
19	40%
20	20%

Year of Claim	Recovery
21	20%
22	20%
23	10%
24	10%
25	10%

This warranty shall not cover, and TimberTech shall not be responsible for, costs and expenses incurred with respect to the removal of the defective TimberTech Products or the installation of replacement materials, including but not limited to, labor and freight. The foregoing remedies are the SOLE AND EXCLUSIVE REMEDY FOR BREACH OF ANY WARRANTY.

Transfer of Warranty: This warranty may be transferred one (1) time, within the five (5) year period beginning from the date of original purchase by Purchaser, to a subsequent buyer of the property upon which the TimberTech Products were originally installed.

Exclusions from Warranty Coverage: TimberTech does not warrant against and is not responsible for, and no implied warranty shall be deemed to cover, any product failure, product malfunction, or damages attributable to: (1) improper installation of the TimberTech Products and/or failure to abide by TimberTech's installation guidelines, including but not limited to improper gapping; (2) use of TimberTech Products beyond normal use, or in an application not recommended by the TimberTech installation guidelines and local building codes; (3) movement, distortion, collapse or settling of the ground or the supporting structure on which the TimberTech Products are installed; (4) any act of God (such as flooding, hurricane, earthquake, lightning, etc.), environmental condition (such as air pollution, mold, mildew, etc.), or staining from foreign substances (such as dirt, grease, oil, etc.); (5) variations or changes in color of TimberTech Products; (6) normal weathering due to exposure to sunlight, weather and atmosphere which can cause colored surfaces to, among other things, flake, chalk, or accumulate dirt or stains; (7) improper handling, storage, abuse or neglect of the TimberTech Products by Purchaser, the transferee or third parties; (8) any fasteners not supplied by TimberTech; or (9) minor dripping from DrySpace.

Purchaser is solely responsible for determining the effectiveness, fitness, suitability and safety of the TimberTech Products in connection with their use in any particular application.

Limitations: DISCLAIMER OF WARRANTIES: EXCEPT FOR (1) THE EXPRESS WRITTEN WARRANTY CONTAINED HEREIN, AND, (2) THE 25 YEAR LIMITED RESIDENTIAL FADE AND STAIN WARRANTY APPLICABLE TO EARTHWOOD EVOLUTIONS DECKING ONLY (WHICH IS IN ADDITION TO THE WARRANTY CONTAINED HEREIN), TIMBERTECH MAKES NO OTHER WARRANTIES, GUARANTEES OR INDEMNITIES, WHETHER EXPRESS OR IMPLIED, ARISING BY LAW, COURSE OF DEALING, USAGE OF TRADE, CUSTOM OR OTHERWISE, INCLUDING BUT NOT LIMITED TO THE IMPLIED WARRANTY OF MERCHANTABILITY AND IMPLIED WARRANTY OF FITNESS FOR A PARTICULAR PURPOSE, AND ALL SUCH OTHER WARRANTIES, GUARANTEES AND INDEMNITIES ARE HEREBY DISCLAIMED, OVERRIDDEN AND EXCLUDED FROM THIS TRANSACTION FOR THE WARRANTY TERM AND BEYOND THE WARRANTY TERM.

Some states do not allow limitations on how long an implied warranty lasts so the above limitation may not apply to you.

LIMITATION OF REMEDIES AND EXCLUSION OF CONSEQUENTIAL AND INCIDENTAL DAMAGES: TIMBERTECH'S LIABILITIES ARE LIMITED SOLELY AND EXCLUSIVELY TO THE OBLIGATIONS SPECIFICALLY UNDERTAKEN HEREIN, AND UNDER NO CIRCUMSTANCES WILL TIMBERTECH BE LIABLE OR OBLIGATED FOR ANY INCIDENTAL, CONSEQUENTIAL, INDIRECT, SPECIAL, PUNITIVE OR ANY OTHER DAMAGES OF ANY KIND WHATSOEVER (INCLUDING, BUT NOT LIMITED TO, LOST PROFITS, LOST SALES, LOSS OF GOODWILL, USE OF MONEY, USE OF GOODS, STOPPAGE OF WORK, OR IMPAIRMENT OF ASSETS), WHETHER FORESEEABLE OR UNFORESEEABLE, ARISING OUT OF BREACH OR FAILURE OF EXPRESS OR IMPLIED WARRANTY, BREACH OF CONTRACT, FRAUD, MISREPRESENTATION, NEGLIGENCE, STRICT LIABILITY IN TORT OR OTHERWISE, EXCEPT AND ONLY TO THE EXTENT THIS LIMITATION IS SPECIFICALLY PRECLUDED BY APPLICABLE LAW OF MANDATORY APPLICATION. TIMBERTECH'S LIABILITY WITH RESPECT TO DEFECTIVE PRODUCTS SHALL IN NO EVENT EXCEED THE REPLACEMENT OF SUCH PRODUCTS OR REFUND OF THE PURCHASE PRICE, AS DESCRIBED ABOVE.

Some states do not allow the exclusion or limitation of incidental or consequential damages, so the above limitation or exclusion may not apply to you. This warranty gives you specific legal rights, and you may also have other rights that vary from state to state.

Miscellaneous: This writing is understood and intended to be the final expression of the parties' agreement and is a complete and exclusive statement of the terms and conditions with respect thereto, superseding all prior agreements or representations, oral or written, and all other communication between the parties relating to the subject matter of this agreement. This warranty may not be altered or amended except in a written instrument signed by TimberTech and Purchaser or permitted transferee. No agent, employee or any other party is authorized to make any warranty in addition to that made in this agreement and TimberTech shall not be bound by any such statements other than those contained in this warranty.

This warranty shall only be applicable and enforceable in the United States of America.

This warranty is effective for purchases (residential or commercial, as the case may be) made on or after January 1, 2011.

Copyright (c) 2012 TimberTech.

25-Year Limited Warranty for Metal Baluster Components of Rail Systems with Metal Balusters

Statement of Warranty

This warranty is given to the original consumer purchaser ("Purchaser"), of TimberTech Limited ("TimberTech") rail systems utilizing metal balusters. TimberTech warrants to Purchaser that, for a period of twenty-five (25) years from the date of the original consumer purchase (the "Term"), that the metal baluster components of TimberTech's rail systems utilizing metal balusters ("Metal Balusters") will be free from defects in material and workmanship, including cracking, peeling, blistering of the finish and extensive corrosion (rusting). For purposes of this warranty, corrosion (rusting) is deemed extensive when there are multiple rust-through perforation instances on the same piece of product.

All warranties are subject to the exclusions, limitations and restrictions set forth below.

Obtaining Warranty Performance

If Purchaser discovers a defect during the Term, Purchaser must, within thirty (30) days from the discovery of the alleged defect but no later than the end of the Term, notify TimberTech in writing, at the following address:

TimberTech Limited
894 Prairie Avenue
Wilmington, Ohio 45177
Attn: Claims Department

Purchaser must include in this notification proof of purchase and a statement explaining the defect. TimberTech may request additional information. After reviewing all information, TimberTech will make a determination regarding the validity of such claim. If TimberTech determines that Purchaser's claim is valid, TimberTech will, at its option, either replace the defective part or refund the portion of the purchase price paid by Purchaser for such defective part (not including the cost of its initial installation) according to the proration schedule set forth below. This warranty shall not cover, and TimberTech shall not be responsible for, costs and expenses incurred with respect to the removal of the defective Metal Balusters or the installation of replacement materials, including but not limited to, labor and freight, as well as shipping charges and sales tax. The foregoing remedies are the SOLE AND EXCLUSIVE REMEDY FOR BREACH OF ANY WARRANTY.

If Purchaser makes a valid warranty claim hereunder during years eleven (11) through twenty-five (25) after the original consumer purchase, then Purchaser's recovery will be prorated as indicated below. If TimberTech is providing replacement materials, it may elect to replace the percentage listed below of Metal Balusters otherwise meeting the requirements for a claim; if TimberTech is refunding the purchase price, it may elect to refund the percentage listed below of the purchase price of Metal Balusters otherwise meeting the requirements for a claim.

1 – 10 years	100% replacement/refund
11 – 20 years	75% replacement/refund
21 – 25 years	50% replacement/refund

The Purchaser will be responsible for paying any prorated costing.

Transfer of Warranty

This warranty may be transferred one (1) time, within the five (5) year period beginning from the date of original consumer purchase by Purchaser, to a subsequent buyer of the property upon which the rail system containing Metal Balusters was originally installed.

Exclusions from Warranty Coverage

This warranty does not cover damage from abnormal or improper use or design, improper product application, accident, alteration, welding, neglect, abuse, lawn care equipment damage, abrasion, harsh chemicals, pool chemicals, or chemicals for ice removal, air pollutants, installation of metal balusters directly on treated (CCA) lumber, improper service or installation or lack of service, or damage caused by flood, fire or acts of God. For product located one (1) mile or less from the coastline, the Term of this limited warranty shall be one (1) year from the date of the original consumer purchase. This limited warranty does not cover Metal Balusters that have come in to direct contact with salt water. Some darkening of the Antique Bronze color is expected to occur over time, and is not a defect or warranty-related issue.

Purchaser is solely responsible for determining the effectiveness, fitness, suitability and safety of the Metal Balusters in connection with its use in any particular application.

Limitations

DISCLAIMER OF WARRANTIES: EXCEPT FOR THE EXPRESS WRITTEN WARRANTY CONTAINED HEREIN, TIMBERTECH MAKES NO OTHER WARRANTIES, GUARANTEES OR INDEMNITIES, WHETHER EXPRESS OR IMPLIED, ARISING BY LAW, COURSE OF DEALING, USAGE OF TRADE, CUSTOM OR OTHERWISE, INCLUDING BUT NOT LIMITED TO THE IMPLIED WARRANTY OF MERCHANTABILITY AND IMPLIED WARRANTY OF FITNESS FOR A PARTICULAR PURPOSE, AND ALL SUCH OTHER WARRANTIES, GUARANTEES AND INDEMNITIES ARE HEREBY DISCLAIMED, OVERRIDDEN AND EXCLUDED FROM THIS TRANSACTION.

Some States do not allow limitations on how long an implied warranty lasts so the above limitation may not apply to you.

LIMITATION OF REMEDIES AND EXCLUSION OF CONSEQUENTIAL AND INCIDENTAL DAMAGES:

TIMBERTECH'S LIABILITIES ARE LIMITED SOLELY AND EXCLUSIVELY TO THE OBLIGATIONS SPECIFICALLY UNDERTAKEN HEREIN, AND UNDER NO CIRCUMSTANCES WILL TIMBERTECH BE LIABLE OR OBLIGATED FOR ANY INCIDENTAL, CONSEQUENTIAL, INDIRECT, SPECIAL, PUNITIVE OR ANY OTHER DAMAGES OF ANY KIND WHATSOEVER (INCLUDING, BUT NOT LIMITED TO, LOST PROFITS, LOST SALES, LOSS OF GOODWILL, USE OF MONEY, USE OF GOODS, STOPPAGE OF WORK, OR IMPAIRMENT OF ASSETS), WHETHER FORESEEABLE OR UNFORESEEABLE, ARISING OUT OF BREACH OR FAILURE OF EXPRESS OR IMPLIED WARRANTY, BREACH OF CONTRACT, FRAUD, MISREPRESENTATION, NEGLIGENCE, STRICT LIABILITY IN TORT OR OTHERWISE, EXCEPT AND ONLY TO THE EXTENT THIS LIMITATION IS SPECIFICALLY PRECLUDED BY APPLICABLE LAW OF MANDATORY APPLICATION. TIMBERTECH'S LIABILITY WITH RESPECT TO DEFECTIVE PRODUCTS SHALL IN NO EVENT EXCEED THE REPLACEMENT OF SUCH PRODUCTS OR REFUND OF THE PURCHASE PRICE, AS DESCRIBED ABOVE.

Some states do not allow the exclusion or limitation of incidental or consequential damages, so the above limitation or exclusion may not apply to you. This warranty gives you specific legal rights, and you may also have other rights that vary from state to state.

Miscellaneous

This writing is understood and intended to be the final expression of the parties' agreement and is a complete and exclusive statement of the terms and conditions with respect thereto, superseding all prior agreements or representations, oral or written, and all other communication between the parties relating to the subject matter of this agreement. This warranty may not be altered or amended except in a written instrument signed by TimberTech and Purchaser or permitted transferee. No agent, employee or any other party is authorized to make any warranty in addition to that made in this agreement and TimberTech shall not be bound by any such statements other than those contained in this warranty.

This warranty is effective for consumer purchases made on or after January 1, 2011.

Copyright © 2012 TimberTech

Every TimberTech product is backed by exceptional customer service and a commitment to quality

Warranty Registration is Easy

- The easiest way to register a warranty is to visit www.timbertech.com and select the Warranty & Care link, then select Register Online.
- You may prefer to fill out the Warranty Card below and mail it to TimberTech, accordingly to the instructions on the card.

Remember, to ensure your product is covered by the TimberTech Warranty it must be installed properly.

TimberTech LTD disclaims any liability or responsibility for the improper installation of this product. The purchaser is solely responsible for compliance with applicable local codes as to the deck's intended use. TimberTech recommends all designs be reviewed by a licensed architect, engineer or local building official before installation. TimberTech maintains a list of physical properties to assist the design professional.

Below is a chart showing which product each warranty covers. You can view warranty details online at www.timbertech.com:

- **Limited 25-Year Residential Warranty / Limited 10-Year Commercial Warranty**
 - Decking:** DockSider, Floorizon, ReliaBoard Plank, ValuPlank, Earthwood, TwinFinish, XLM
 - Railing:** Ornamental Rail, RadianceRail, BuilderRail (excluding all metal baluster components of BuilderRail System), Secure - Mount Post System, ADA Hand Rail System
 - Fencing:** All FenceScape products
 - Accessories:** CONCEALoc, DrySpace
- **Limited 10-Year Warranty for Metal Baluster Components of BuilderRail System**
- **Limited 5-Year Warranty for DeckLites System**

To Make a Claim

To make a claim under either warranty, purchaser or the transferee, must send to TimberTech, within the warranty period referred to above, a description of the claimed defect and proof of purchase. Warranty Information Packets can be obtained from TimberTech.


TimberTech Limited

Attn: Claims Department • 894 Prairie Avenue, Wilmington, Ohio 45177 • Or call 1-800-307-7780

TimberTech Customer:
Please complete this warranty card and mail to:

TimberTech
894 Prairie Avenue
Wilmington, Ohio 45177
Attn: Warranty

This information will help us better serve your needs.
Please return warranty card within 30 days of receipt of product.



Name: _____ Purchase Date: _____

Street Address: _____

City: _____ State/Province: _____ Zip/Postal Code: _____

Country: _____ Phone: _____

Product Information:
Where was your product purchased? _____
How was your product installed? _____
 Contractor Name: _____ Self-Installed

Warranty Registration: Check the TimberTech product that you purchased:

Decking: Earthwood Evolutions™ Plank ReliaBoard™ Plank Accessories:
 Floorizon® Plank XLM® Plank _____
 DockSider™ Plank TwinFinish® Plank

Railing: RadianceRail® Ornamental Rail BuilderRail® Metal Balusters CableRail
 RadianceRail® Express Evolutions Rail™ Secure-Mount System ADA Hand Rail System

DrySpace™ DeckLites® FenceScape®

Demographic Information: Number of residents in household: _____
Number of household residents in the following age groups:
 0-12 13-18 19-27 28-39 40-55 55+
Average household income:
 Under \$35,000 \$35,000-50,000 \$50,000-70,000 \$70,000-95,000 \$95,000+

High-Performance Decking. Low-Maintenance Living. It's Our Passion.

